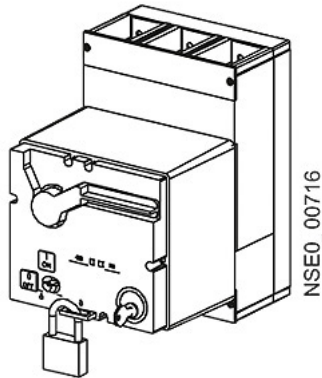


accessory for VL400, mot. op. mech. w/ strd en. mech 110...127V AC/DC



Model	
product brand name	SETRON
product designation	Motorized operating mechanism with stored energy mechanism
design of the product	Accessory for VL400
type of the driving mechanism	Motorized operating mechanism with spring energy store
General technical data	
break time / typical	5 s
operating frequency / maximum	120 1/h
Voltage	
fuse protection type / for external auxiliary power supply / required	NEOZED fuse (gL/gG): 2 A / miniature circuit breaker, C char.: 2 A
operating range factor control supply voltage rated value	
• at DC / initial value	0.85
• at DC / full-scale value	1.1
• at AC / at 50 Hz / initial value	0.85
• at AC / at 50 Hz / full-scale value	1.1
• at AC / at 60 Hz / initial value	0.85
• at AC / at 60 Hz / full-scale value	1.1
Protection class	
protection class IP	IP30
Current	
make time / typical	0.1 s
Control current	
operating apparent power	200 V·A
control supply voltage	
• at DC / rated value / minimum	127 V
• at DC / rated value / maximum	110 V
• at AC / at 50 Hz / rated value / minimum	110 V
• at AC / at 50 Hz / rated value / maximum	127 V
• at AC / at 60 Hz / rated value / minimum	110 V
• at AC / at 60 Hz / rated value / maximum	127 V
Accessories	
accessories	Accessories for VL400
pulse duration / minimum	50 ms
Connections	
stripped length	10 mm
connectable conductor cross-section / solid	

<ul style="list-style-type: none"> <li>• minimum</li> <li>• maximum</li> </ul>	0.75 mm <sup>2</sup> 1.5 mm <sup>2</sup>
connectable conductor cross-section / stranded	
<ul style="list-style-type: none"> <li>• minimum</li> <li>• maximum</li> </ul>	0.75 mm <sup>2</sup> 1.5 mm <sup>2</sup>
connectable conductor cross-section / finely stranded / with core end processing	
<ul style="list-style-type: none"> <li>• minimum</li> <li>• maximum</li> </ul>	0.75 mm <sup>2</sup> 1.5 mm <sup>2</sup>
tightening torque	
<ul style="list-style-type: none"> <li>• maximum</li> </ul>	1 N·m

### Mechanical Design

height	160 mm
width	140 mm
depth	160 mm
net weight	4 602 g

### Environmental conditions

ambient temperature / during operation	
<ul style="list-style-type: none"> <li>• minimum</li> <li>• maximum</li> </ul>	-25 °C 70 °C
ambient temperature / during storage	
<ul style="list-style-type: none"> <li>• minimum</li> <li>• maximum</li> </ul>	-40 °C 80 °C

### Certificates

reference code	
<ul style="list-style-type: none"> <li>• acc. to DIN EN 61346-2</li> <li>• acc. to IEC 81346-2</li> </ul>	M M

General Product Approval	EMC	Declaration of Conformity	Test Certificates	Marine / Shipping
--------------------------	-----	---------------------------	-------------------	-------------------

[Miscellaneous](#)



[Special Test Certificate](#)



Marine / Shipping	other
-------------------	-------



[Miscellaneous](#)

[Confirmation](#)

[Environmental Confirmations](#)

### other

[Manufacturer Declaration](#)

### Further information

Information- and Downloadcenter (Catalogs, Brochures,...)

<http://www.siemens.com/lowvoltage/catalogs>

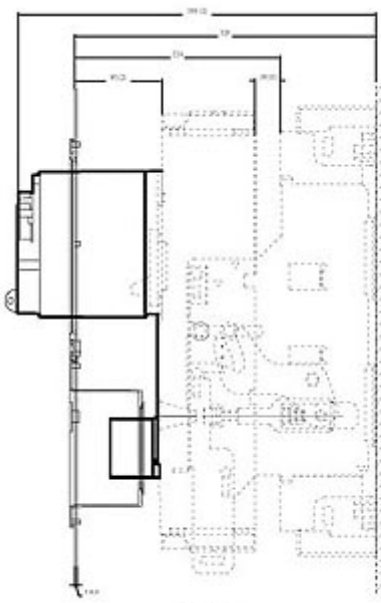
Industry Mall (Online ordering system)

<https://mall.industry.siemens.com/mall/en/en/Catalog/product?mfb=3VL9400-3MN00>

Service&Support (Manuals, Certificates, Characteristics, FAQs,...)

<https://support.industry.siemens.com/cs/ww/en/ps/3VL9400-3MN00>

Image database (product images, 2D dimension drawings, 3D models, device circuit diagrams, ...)



(1) Betriebsstellung  
(2) Trennstellung

