

DOOR MOUNTED ROTARY OPERATOR STANDARD IEC IP65 WITH DOOR INTERLOCKING ACCESSORY FOR 3VA15/25 1000



Model		
product brand name	SETRON	
product designation	Accessories	
Product version	Door-coupling rotary operating mechanism	
Accessories	Door-coupling rotary operating mechanisms	
General technical data		
protection class IP	IP65	
Voltage		
Current		
Mechanical Design		
net weight	3 850 g	
Connections according IEC		
Connections according UL		
Certificates		
General Product Approval	EMC	Declaration of Conformity

[Miscellaneous](#)



Declaration of Conformity	Shipping Approval	other
---------------------------	-------------------	-------



[Manufacturer Declaration](#)

[Miscellaneous](#)

Further information

Information- and Downloadcenter (Catalogs, Brochures,...)

<http://www.siemens.com/lowvoltage/catalogs>

Industry Mall (Online ordering system)

<https://mall.industry.siemens.com/mall/en/en/Catalog/product?mfb=3VA9687-0FK21>

Service&Support (Manuals, Certificates, Characteristics, FAQs,...)

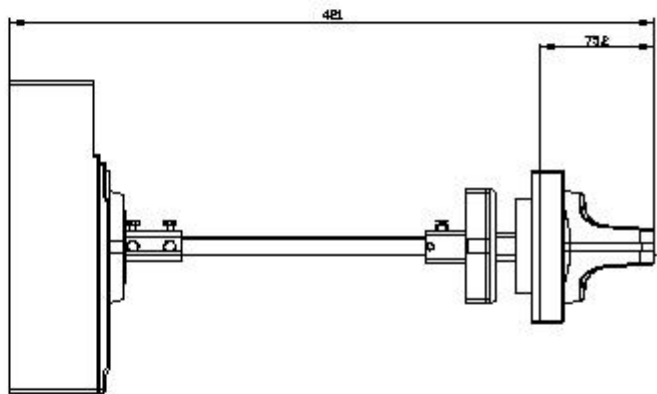
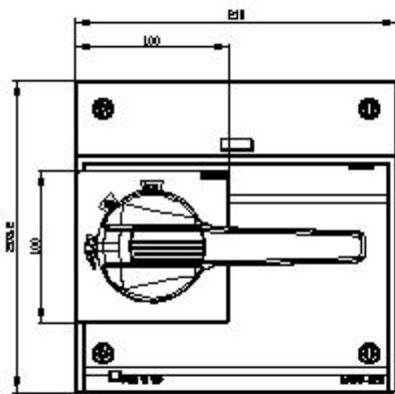
<https://support.industry.siemens.com/cs/ww/en/ps/3VA9687-0FK21>

Image database (product images, 2D dimension drawings, 3D models, device circuit diagrams, ...)

http://www.automation.siemens.com/bilddb/cax_en.aspx?mlfb=3VA9687-0FK21

Tender specifications

<http://www.siemens.com/specifications>



last modified:

11/11/2020 