



Main

| | |
|---------------------------|----------------------------|
| Range of product | Magelis Easy GXU |
| Product or component type | Advanced touchscreen panel |
| Display type | LCD touch screen |
| Display colour | 65536 colours |
| Display resolution | 800 x 480 pixels WVGA |
| Display size | 10.1 inch |

Complementary

| | |
|----------------------------|--|
| Backlight lifespan | 20000 hours |
| [Us] rated supply voltage | 24 V DC |
| Software designation | Vijeo Designer Basic (configuration software) |
| Memory description | Internal, 48 MB for application Internal DDR, 128 MB Internal, 128 kB for backup |
| Integrated connection type | USB type mini B COM1 serial link : 9-way male SUB-D connector, RS232C protocol COM2 serial link : 9-way male SUB-D connector, RS422/RS485 protocol USB type A Ethernet 10/100BASE-TX |
| Cut-out dimensions | 255 x 185 mm |

Environment

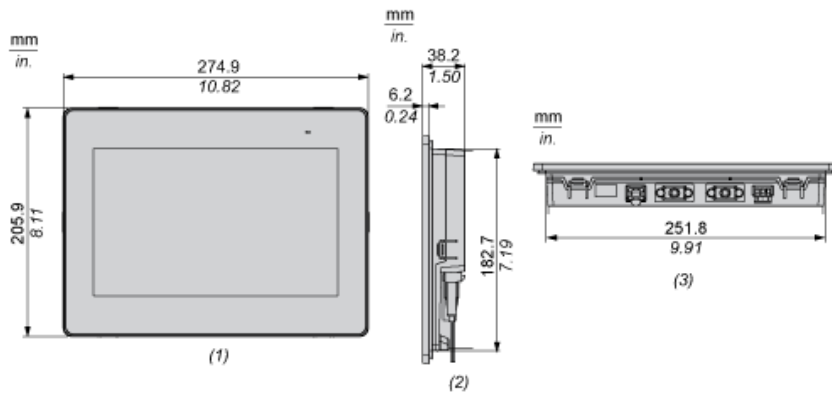
| | |
|---------------------------------------|--------------------|
| Quality labels | CE |
| Ambient air temperature for operation | 0...50 °C |
| Ambient air temperature for storage | -20...60 °C |
| IP degree of protection | IP65 (front panel) |

Offer Sustainability

| | |
|----------------------------------|--|
| Sustainable offer status | Green Premium product |
| RoHS (date code: YYWW) | Compliant - since 1501 - Schneider Electric declaration of conformity Schneider Electric declaration of conformity |
| REACH | Reference not containing SVHC above the threshold |
| Product environmental profile | Available Product Environmental Profile |
| Product end of life instructions | Available End Of Life Information |

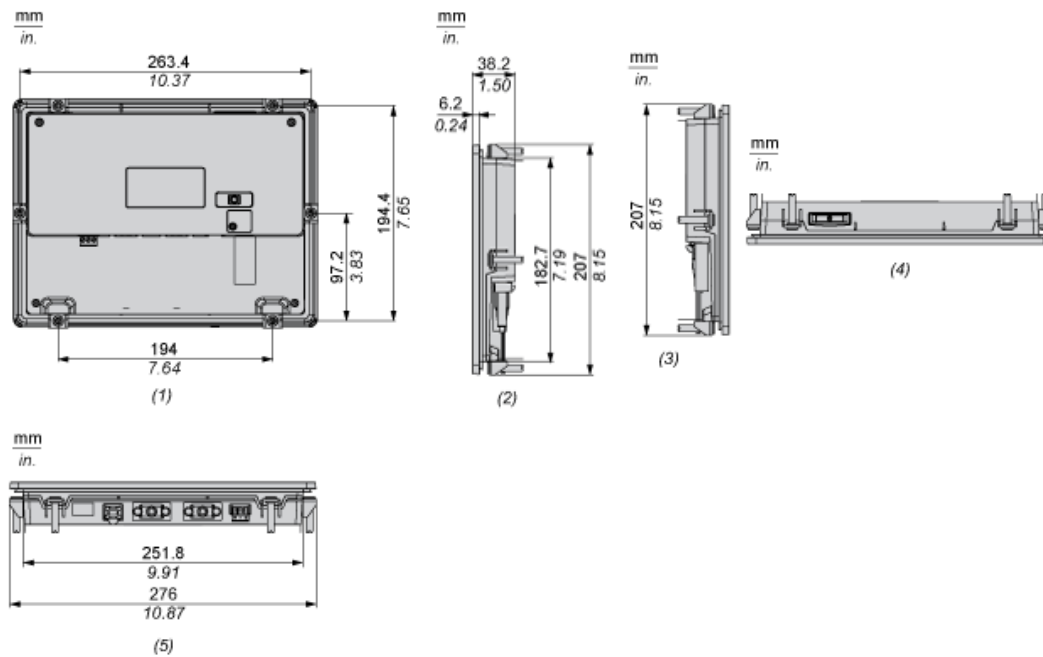
Dimensions

External Dimensions



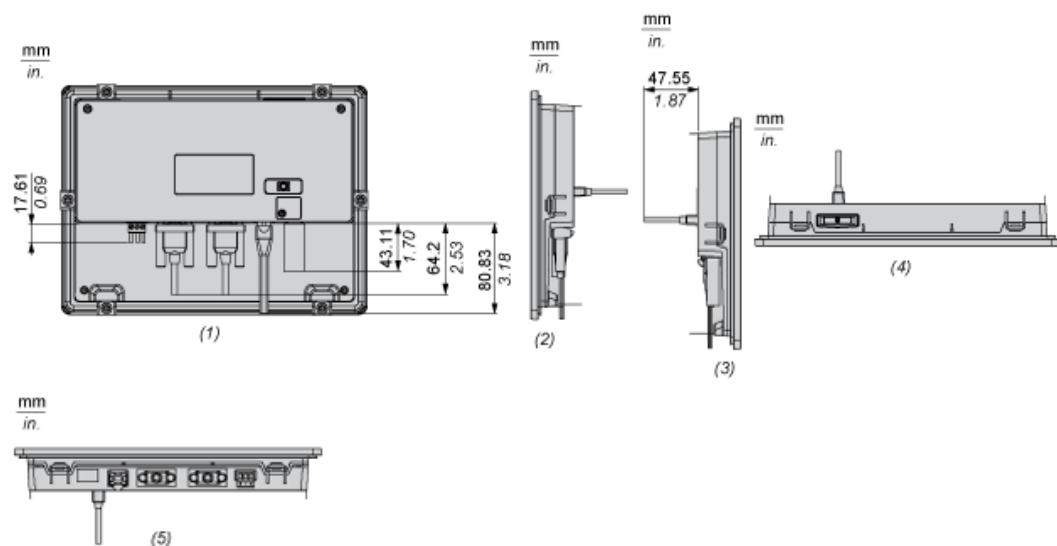
- (1) Front
- (2) Right
- (3) Bottom

Installation with Installation Fasteners



- (1) Rear
- (2) Right
- (3) Left
- (4) Top
- (5) Bottom

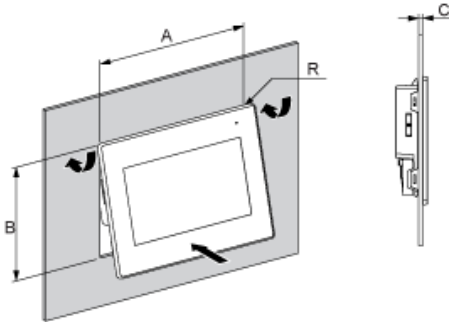
Dimensions with Cables



- (1) Rear
- (2) Right
- (3) Left
- (4) Top
- (5) Bottom

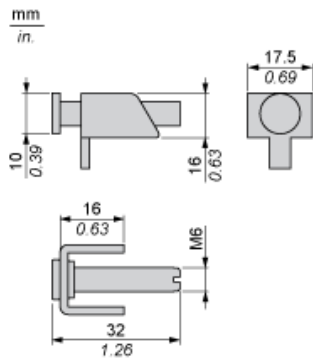
Mounting

Panel Cut Dimensions



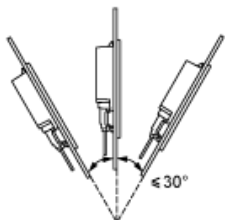
| A | | B | | C | | R | |
|-------------------|------------------------|-------------------|-----------------------|-------|-------------|-------|-----------|
| mm | in. | mm | in. | mm | in. | mm | in. |
| 255 ^{±1} | 10.04 ^{±0.04} | 185 ⁺¹ | 7.28 ^{+0.04} | 1...5 | 0.04...0.19 | 3 max | 0.12 max. |

Installation Fasteners Dimensions



Installation Requirements

Mounting Angle



When installing the panel in a slanted position, and the panel face inclines more than 30°, the ambient temperature must not exceed 40 °C (104 °F).

Clearance

mm
in.

