

Product data sheet

Specifications



TeSys F contactor - 3P (3 NO) - AC-3 - <= 440 V 630 A - coil 110 V DC

LC1F630FD

Product availability : Non-Stock - Not normally stocked in distribution facility

Price* : 6,474.00 USD

Main

Range	TeSys
Product name	TeSys F
Product or Component Type	Contacteur
Device short name	LC1F
Contacteur application	Resistive load Motor control
Utilisation category	AC-4 AC-1 AC-3
Poles description	3P
Power pole contact composition	3 NO
[Ie] rated operational current	1000 A 104 °F (40 °C)) <= 440 V AC AC-1 630 A 131 °F (55 °C)) <= 440 V AC AC-3
Motor power kW	335 kW 380...400 V AC 50/60 Hz AC-3) 375 kW 415 V AC 50/60 Hz AC-3) 400 kW 440 V AC 50/60 Hz AC-3) 400 kW 500 V AC 50/60 Hz AC-3) 450 kW 660...690 V AC 50/60 Hz AC-3) 450 kW 1000 V AC 50/60 Hz AC-3) 200 kW 220...230 V AC 50/60 Hz AC-3) 100 kW 400 V AC 50/60 Hz AC-4)
[Uc] control circuit voltage	110 V DC
Coil type	Standard

Complementary

[Uimp] rated impulse withstand voltage	8 kV
Overvoltage category	III
[Ith] conventional free air thermal current	1000 A 104 °F (40 °C) 1250 A
Rated breaking capacity	5040 A IEC 60947-4-1
[Icw] rated short-time withstand current	5050 A 104 °F (40 °C) - 10 s 4400 A 104 °F (40 °C) - 30 s 3400 A 104 °F (40 °C) - 1 min 2200 A 104 °F (40 °C) - 3 min 1600 A 104 °F (40 °C) - 10 min
Associated fuse rating	1000 A gG <= 440 V 630 A aM <= 440 V

* Price is "List Price" and may be subject to a trade discount – check with your local distributor or retailer for actual price.

Average impedance	0.12 mOhm - lth 1000 A 50 Hz
[Ui] rated insulation voltage	1000 V IEC 60947-4-1 1500 V VDE 0110 group C
Power dissipation per pole	120 W AC-1 48 W AC-3
Mounting Support	Plate
Standards	EN 60947-1 JIS C8201-4-1 IEC 60947-4-1 IEC 60947-1 EN 60947-4-1
Product certifications	ABS RMRoS BV RINA CSA UL CB DNV LR0S (Lloyds register of shipping) UKCA
Connections - terminals	Control circuit screw clamp terminals 1 0.00...0.01 in ² (1...4 mm ²)flexible without cable end Control circuit screw clamp terminals 2 0.00...0.01 in ² (1...4 mm ²)flexible without cable end Control circuit screw clamp terminals 1 0.00...0.01 in ² (1...4 mm ²)flexible with cable end Control circuit screw clamp terminals 2 0.00...0.00 in ² (1...2.5 mm ²)flexible with cable end Control circuit screw clamp terminals 1 0.00...0.01 in ² (1...4 mm ²)solid without cable end Control circuit screw clamp terminals 2 0.00...0.01 in ² (1...4 mm ²)solid without cable end Power circuit bar 2 60 x 5 mm Power circuit bolted connection
Tightening torque	Control circuit 10.62 lbf.in (1.2 N.m) Power circuit 513.34 lbf.in (58 N.m)
Control circuit voltage limits	Operational 0.85...1.1 U _c 131 °F (55 °C)) Drop-out 0.2...0.35 U _c 131 °F (55 °C))
Inrush power in W	1600 W 68 °F (20 °C))
Hold-in power consumption in W	9 W 68 °F (20 °C)
Heat dissipation	9 W
Operating time	60...70 ms closing 40...50 ms opening
Mechanical durability	5 Mcycles
Maximum operating rate	1200 cyc/h 131 °F (55 °C)
Compatibility code	LC1F
Motor power range	250...500 kW 380...440 V 3 phase 110...220 kW 200...240 V 3 phase 250...500 kW 480...500 V 3 phase
Motor starter type	Direct on-line contactor
Contactor coil voltage	110 V DC standard

Environment

IP degree of protection	IP20 front face with shrouds IEC 60529 IP20 front face with shrouds VDE 0106
Protective treatment	TH
Ambient Air Temperature for Operation	23...131 °F (-5...55 °C)
Ambient Air Temperature for Storage	-76...176 °F (-60...80 °C)
Permissible ambient air temperature around the device	-40...158 °F (-40...70 °C)
Operating altitude	9842.52 ft (3000 m) without derating
Height	11.97 in (304 mm)

Width	12.17 in (309 mm)
Depth	10.04 in (255 mm)
Net weight	41.01 lb(US) (18.6 kg)

Ordering and shipping details

Category	22331 - CTR,F-LINE,DC,OPEN,NONREV
Discount Schedule	I12
GTIN	3389118094703
Nbr. of units in pkg.	1
Package weight(Lbs)	41.40 lb(US) (18.78 kg)
Returnability	No
Country of origin	CZ

Packing Units

Unit Type of Package 1	PCE
Package 1 Height	11.81 in (30 cm)
Package 1 width	14.57 in (37 cm)
Package 1 Length	18.11 in (46 cm)
Unit Type of Package 2	P06
Number of Units in Package 2	4
Package 2 Weight	183.25 lb(US) (83.12 kg)
Package 2 Height	29.53 in (75 cm)
Package 2 width	31.50 in (80 cm)
Package 2 Length	23.62 in (60 cm)

Offer Sustainability

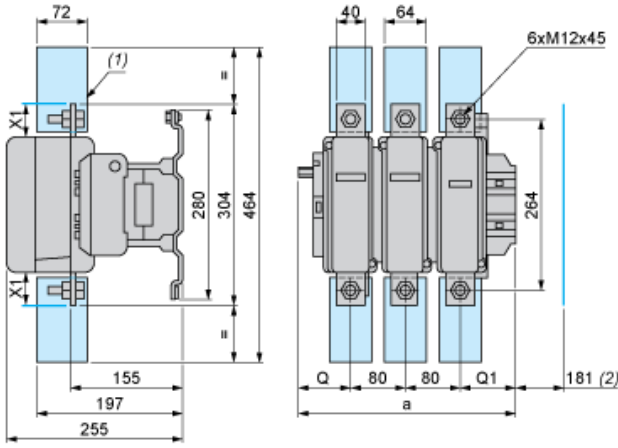
Sustainable offer status	Green Premium product
California proposition 65	WARNING: This product can expose you to chemicals including: Lead and lead compounds, which is known to the State of California to cause cancer and birth defects or other reproductive harm. For more information go to www.P65Warnings.ca.gov
REACH Regulation	REACH Declaration
EU RoHS Directive	Compliant EU RoHS Declaration
Mercury free	Yes
RoHS exemption information	Yes
China RoHS Regulation	China RoHS declaration Product out of China RoHS scope. Substance declaration for your information.
Environmental Disclosure	Product Environmental Profile
Circularity Profile	End of Life Information
WEEE	The product must be disposed on European Union markets following specific waste collection and never end up in rubbish bins.

Contractual warranty

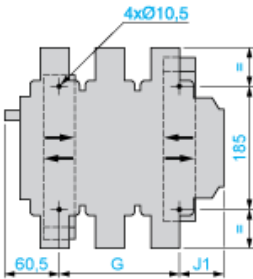
Warranty	18 months
----------	-----------

Dimensions and Drawings

LC1 F630 and F800



- (1) Power terminal protection shroud.
- (2) Minimum distance required for coil removal.



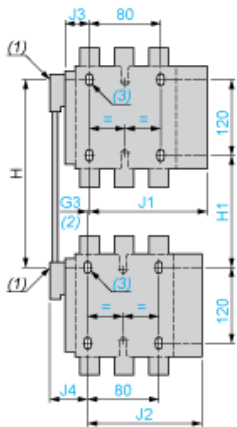
NOTE: X1 (mm) = Minimum electrical clearance according to operating voltage and breaking capacity.

LC1		a	G supplied	G min.	G max.	J1	Q	Q1
F630	2P	309	180	100	195	68.5	102	127
F630, F800	3P	309	180	100	195	68.5	60	89
F630	4P	389	240	150	275	88.5	60	89
Voltage		200...500 V	690...1000 V		200...690 V			1000 V
LC1 F630		20	30		-			-
LC1 F800		-	-		10			20

TeSys F reversing contactors and changeover contactor pairs Vertically mounted

NOTE: For customer assembly, with mechanical interlock (MI) LA9 F, fixing recommended on AM1 EC uprights (please consult your Regional Sales Office). 2 x LC1 identical or different ratings (LC1 F115 to F630 and F800).

Assembly A



- (1) Mechanical interlock shaft.
- (2) For assembly of contactors of different ratings only.
- (3) 4 x Ø6.5 for LC1 F115 to F225.

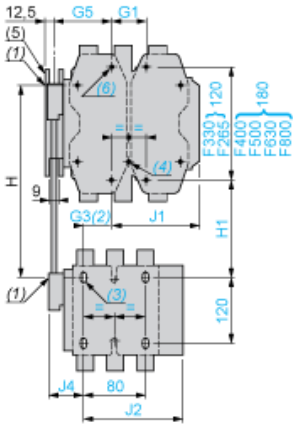
Assembly A⁽⁷⁾ - Mechanical interlock reference

	G3 3P	G3 4P	H min.	H max.	H1 min.	H1 max.	J1 3P	J1 4P
LA9 FF4F	0	0	200	310	80	190	137	155.5
LA9 FG4F	3	4	210	300	90	180	139.5	159.5

	G3 3P	G3 4P	H min.	H max.	H1 min.	H1 max.	J1 3P	J1 4P
LA9 FG4G	0	0	220	310	100	190	139.5	159.5

	J2 3P	J2 4P	J3 3P	J3 4P	J4 3P	J4 4P
LA9 FF4F	137	155.5	48.5	67	48.5	67
LA9 FG4F	137	155.5	53	73	54	69
LA9 FG4G	139.5	159.5	53	73	53	73

Assembly B



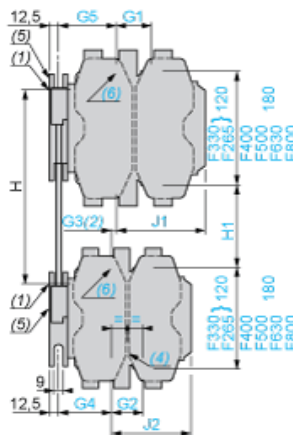
- (4) 4 x Ø6.5 for LC1 F265.
- (5) Mechanical interlock guide bracket.

Assembly B⁽⁷⁾ - Mechanical interlock reference

	G1 3P	G1 4P	G3 3P	G3 4P	G5 3P	G5 4P	H min.	H max.
LA9 FH4F	96	96	21	27	60	83	240	380
LA9 FJ4F	80	80	45	26	83	83	250	380
LA9 FK4F	80	140	45	26	83	83	270	380
LA9 FL4F	180	240	35	17	74	74	310	380
LA9 FH4G	96	96	19	23	60	83	250	380
LA9 FJ4G	80	80	42	22	83	83	250	380
LA9 FK4G	80	140	42	22	83	83	270	380
LA9 FL4G	180	240	33	13	74	74	310	380

	H1 min.	H1 max.	J1 3P	J1 4P	J2 3P	J2 4P	J4 3P	J4 4P
LA9 FH4F	110	250	157.5	181.5	137	155.5	48.5	67
LA9 FJ4F	80	210	144.5	192.5	137	155.5	48.5	67
LA9 FK4F	100	210	164.5	219.5	137	155.5	48.5	67
LA9 FL4F	140	210	248.5	328.5	137	155.5	48.5	67
LA9 FH4G	120	250	157.5	181.5	139.5	159.5	53	73
LA9 FJ4G	90	220	144.5	192.5	139.5	159.5	53	73
LA9 FK4G	110	220	164.5	219.5	139.5	159.5	53	73
LA9 FL4G	150	220	248.5	328.5	139.5	159.5	53	73

Assembly C



- (6) 4 x Ø8.5 for LC1 F400, F500 or 4 x Ø10.5 for LC1 F630 and F800.



(7) Only 3P for F800.

(8) In this case, G4 is greater than G5.

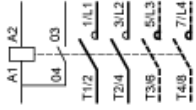
Assembly C⁽⁷⁾

	G1 3P	G1 4P	G2 3P	G2 4P	G3 3P	G3 4P	G4 3P	G4 4P	G5 3P	G5 4P
LA9 FH4H	96	96	96	96	0	0	60	83	60	83
LA9 FJ4H	80	80	96	96	23	0	60	83	83	83
LA9 FK4H	80	140	96	96	23	0	60	83	83	83
LA9 FL4H	180	240	96	96	14	g ⁽⁸⁾	60	83	74	74
LA9 FJ4J	80	80	80	80	0	0	83	83	83	83
LA9 FK4J	80	140	80	80	0	0	83	83	83	83
LA9 FL4J	180	240	80	80	g ⁽⁸⁾	g ⁽⁸⁾	83	83	74	74
LA9 FK4K	80	140	80	140	0	0	83	83	83	83
LA9 FL4K	180	240	80	140	g ⁽⁸⁾	g ⁽⁸⁾	83	83	74	74
LA9 FL4L	180	240	180	240	0	0	74	74	74	74

	H min.	H max.	H1 min.	H1 max.	J1 3P	J1 4P	J2 3P	J2 4P
LA9 FH4H	250	380	130	260	157.5	181.5	157.5	181.5
LA9 FJ4H	260	380	110	230	144.5	192.5	157.5	181.5
LA9 FK4H	280	380	130	230	164.5	219.5	157.5	181.5
LA9 FL4H	330	380	170	220	248.5	328.5	157.5	181.5
LA9 FJ4J	260	380	60	200	144.5	192.5	144.5	192.5
LA9 FK4J	280	380	100	200	164.5	219.5	144.5	192.5
LA9 FL4J	325	380	140	195	248.5	329.5	144.5	192.5
LA9 FK4K	300	380	120	200	164.5	329.5	164.5	219.5
LA9 FL4K	345	380	160	195	248.5	328.5	164.5	219.5
LA9 FL4L	380	380	200	200	248.5	328.5	248.5	328.5

Connections and Schema

2, 3, and 4-pole Contactors



LC1 F115 to F630, F1250(coil LX1 F ~)



LC1 F115 to F630 , F1250 (coil LX4 F ≡)

LC1 F115 to F265 (coil LX9 F ~)

LC1 F800 (coil LX8 F ~ / ≡)